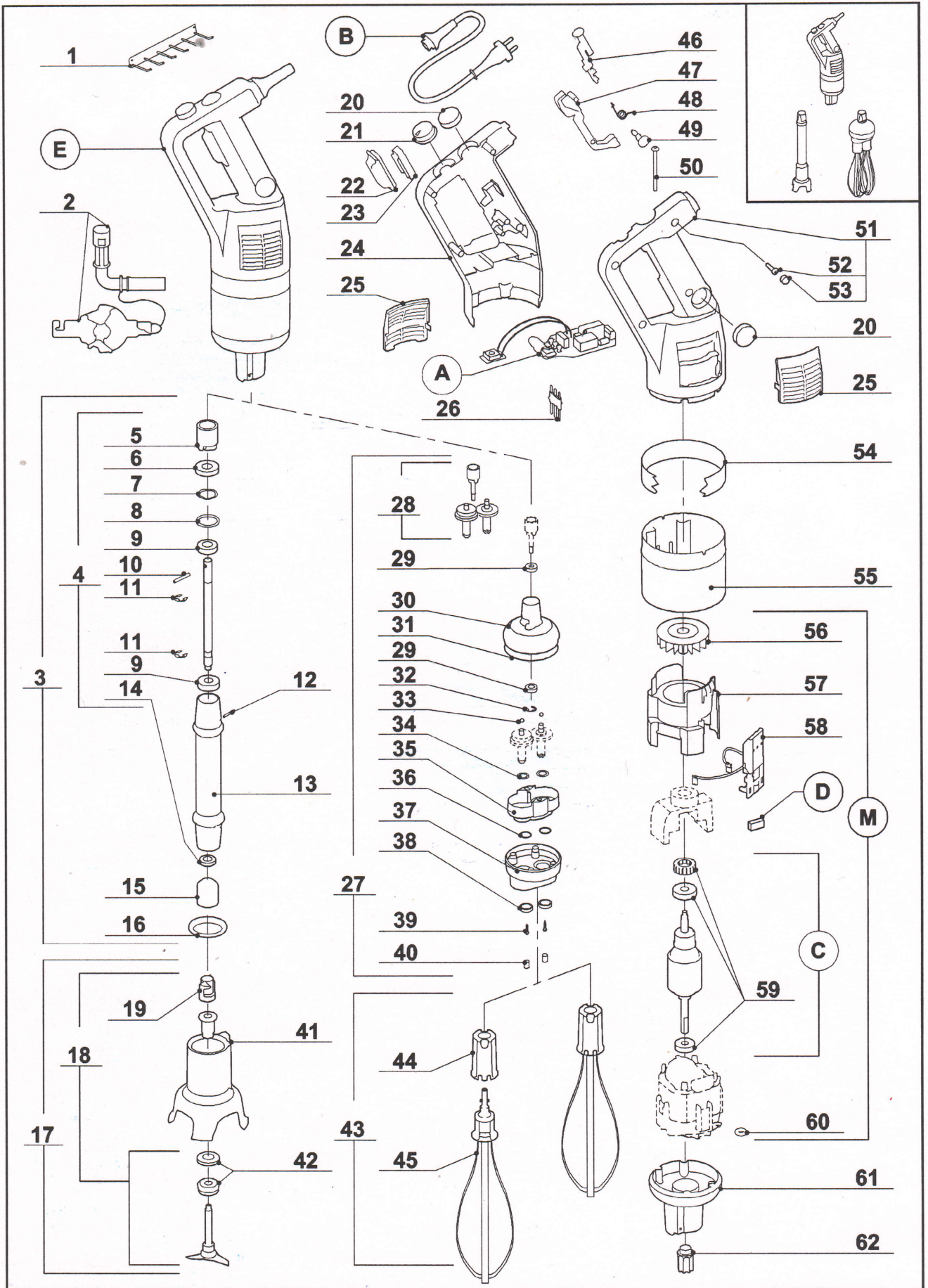


robot coupe®

CMP 250 Combi



Index	Pièce / Part	Désignation	Description
1	102 897	SUPPORT MURAL	/ RACK
2	29 540	ENS. OUTIL DE DEMONTAGE	/ TOOL ASSEMBLY
3	103 457	PIED CMP 250 Combi EQUIPE	/ FOOT
4	29 811	ENS. ARBRE D'ENTRAINEMENT CMP 250 C	/ DRIVING SHAFT CMP 250 C ASS
5	103 448	CAGE D'ENTRAINEMENT Combi	/ DRIVING CAGE
6	102 963	BUTEE ROULEMENT	/ STOP BEARING
7	203 118	RONDELLE ELASTIQUE D22	/ ELACTIC RING
8	507 075	JOINT TORIQUE Ø 21,6x2,4	/ SEAL
9	507 005	ROULEMENT DE PIED (608 2RS)	/ FOOT BEARING
10	203 080	GOUPILLE Ø 3x22	/ PIN
11	203 128	ANNEAU "E"	/ RING "E"
12	203 083	GOUPILLE Ø 3x28	/ PIN
13	103 458	PIED CMP 250 Combi	/ FOOT
14	507 004	JOINT A LEVRE (8x18x5)	/ SEAL
15	102 410	CAGE D'ENTRAINEMENT	/ DRIVING FRAME
16	102 417	JOINT DE PIED	/ FOOT SEAL
17	29 678	ENS. CLOCHE COMPLETE CMP	/ COMPLETE CMP BELL COVER ASSEMBLY
18	29 676	ENS. COUTEAU CMP	/ CMP BLADE ASSEMBLY
19	102 422	MOYEU D'ENTRAINEMENT	/ DRIVING HUB
20	29 940	ENS. CAPUCHON-BOUTON-CACHE VIS	/ CAP KNOB-CAP SCREW ASSEMBLY
21	29 941	ENS. BOUTON VARIATEUR EQU-CACHE VIS	/ VARIA SWITCH EQUIP-CAP SCREW ASSEMBLY
22	29 944	ENS. CAPUCHON LEVIER-CACHE VIS	/ CAP ARM-CAP SCREW ASSEMBLY
23	29 943	ENS. BAGUE MAINTIEN ETANCH-CACHE VIS	/ SEAL RING-CAP SCREW ASSEMBLY
24	29 939	ENS. ½ POIGNEE DROITE	/ RIGHT HANDLE ASSEMBLY
25	103 811	GRILLE	/ VENT COVER
26	29 945	ENS. CONNECTEUR-CACHE VIS	/ CONNECTOR-CAP SCREW ASSEMBLY
27	103 544	BOITE FOUET	/ BOX WHIP
28	29 801	ENS. PIGNONS FW+BAGUE	/ GEARS ASSEMBLY FW+RING
29	29 726	ENS. ROULEMENT-CACHE-VIS BOITE FOUET	/ BEARING-CAP SCREW WHIP BOX ASS
30	29 981	ENS. COQUE SUP. FW	/ UPPER BODY ASSEMBLY FW
31	29 727	ENS. JOINT TORIQUE Ø 96,97x1,78-CACHE VIS	/ SEAL-CAP SCREW ASSEMBLY
32	29 728	ENS. ANNEAU "E"-CACHE VIS	/ RING "E"-CAP SCREW ASSEMBLY
33	29 729	ENS. BILLE Ø 5-CACHE VIS	/ BALL-CAP SCREW ASSEMBLY
34	29 730	ENS. RONDELLE D'USURE FW-CACHE VIS	/ WEARING RING-CAP SCREW ASSEMBLY
35	29 982	ENS. FLASQUE+VIS+CACHE-VIS CMP	/ PLATE ASSEMBLY+SCREW+CAP SCREW CMP
36	29 962	ENS. JOINT TORIQUE 26x2 CMP	/ SEAL ASSEMBLY 26X2 CMP
37	29 554	ENS. COQUE INF. FW	/ LOWER BODY ASSEMBLY FW
38	29 731	ENS. JOINT A LEVRE (14-24-6)-CACHE VIS	/ SEAL-CAP SCREW ASSEMBLY
39	29 732	ENS. VIS 3x19-CACHE VIS BOITE FOUET	/ SCREW 3x19-CAP SCREW WHIP BOX ASSEMBLY
40	29 734	ENS. CACHE VIS BOITE FOUET	/ SCREW COVER WHIP BOX ASS
41	29 677	ENS. CLOCHE-BAGUE CMP	/ BELL COVER ASSEMBLY-RING CMP
42	507 000	GARNITURE D'ETANCHEITE	/ SEAL RING
43	103 545	FOUET	/ WHIP
44	102 740	EJECTEUR FOUET	/ EJECTOR WHIP
45	103 546	BRINS PLATS	/ FLAT STRANDS
46	29 946	ENS. BOUTON DE SECURITE-RESSORT	/ SECURITY KNOB-SPRING ASSEMBLY
47	29 947	ENS. LEVIER DE COMMANDE-CACHE VIS	/ COMMAND ARM-CAP SCREW ASSEMBLY
48	29 948	ENS. RESSORT DE RAPPEL-CACHE VIS	/ ADJUSTING SPRING-CAP SCREW ASSEMBLY
49	29 949	ENS. BOUTON VERROUILLAGE-RESSORT	/ LOCK KNOB ASSEMBLY-RING
50	203 127	VIS M4x95	/ SCREW
51	29 950	ENS. ½ POIGNEE G (CAPOT)+VIS+CACHE	/ L HANDLE (COVER)+SCREW+CAP ASSEMBLY
52	29 951	ENS. VIS 3x19-CACHE VIS POIGNEE	/ SCREW-CAP SCREW ASSEMBLY
53	29 952	ENS. CACHE VIS	/ CAP ASSEMBLY
54	103 441	VIROLE CMP 250 Combi	/ FERRULE
55	103 812	VIROLE MOTEUR	/ MOTOR FERRULE